

Bitterfeld-Wolfen, March, 11th 2020

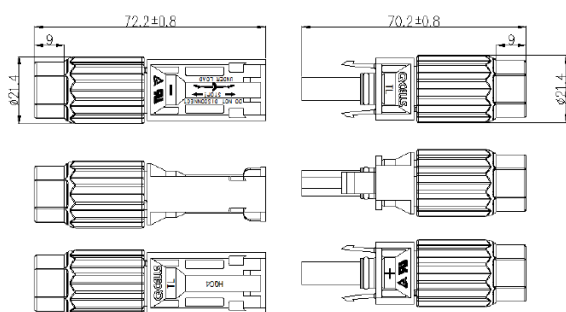
Change of connector for Q CELLS solar modules

Dear customers,

We would like to inform you about the connector change for our Q CELLS solar modules. This change will affect all Q CELLS solar modules in Europe delivered from March 2020 onwards, unless specifically mentioned.

What do the new connectors look like?

The connectors used for Q CELLS solar modules are called “HQC4”. We designed this connector in accordance with our outstanding Q CELLS quality standards and requirements for design, performance and functionality.



What are the advantages of this change?

- By the standardization of connectors of our solar modules, we simplify the installation and planning for our customers.
- The HQC4 connector was designed to perfectly fit our strict standards in design, functionality and quality.
- The HQC4 connector has an IEC and UL certification for a maximum system voltage of 1500 V. There is no need to differentiate between connectors for different system voltages.
- The HQC4 connectors were certified in accordance with all relevant international standards and also passed the strict quality standards of Hanwha Q CELLS.

How you can identify that modules are equipped with HCQ4 connectors?

- There will be an notification within the order confirmation that refers to the usage of HQC4 connectors for your solar modules.
- You can identify them by checking the connector (Q CELLS and HQC4 is written on the connector).

Electrical interconnection of two different connector types has to be avoided in general. We therefore recommend to use HQC4 connectors for the interconnection of the modules with jumper cables, string cables or with the inverter. Additional connectors are available from Q CELLS on request and can be delivered together with the modules.

The current global situation with the novel Coronavirus (Covid-19) can lead to issues in the supply chain which might influence the availability of HQC4 connectors. Customers who are affected by this connector shortage may replace the pre-installed connectors at the ends of each modules string with a different connector type (Stäubli MC4, Stäubli MC4 EVO2, Amphenol H4 UTX, Renhe 05-6, Renhe 05-8, JMTHY JM601, JMTHY PV601A, JMTHY PV608, Friends PV2e) to ensure the interconnection of the same connectors. All replacements must be carried out by qualified staff in accordance with the connector manufacturer's instructions and applicable standards (e.g. EN 50521, IEC 62852, UL 6703, EN 60352). The Q CELLS solar module warranty terms still apply except for the replaced connectors itself. Please note that this approval for the replacement of connectors is only temporary and limited until June 1st 2020.

Best regards,

Your Q CELLS Team



Seungyoon Lee,
Head of Global Product Management of Q CELLS